

Sanitana

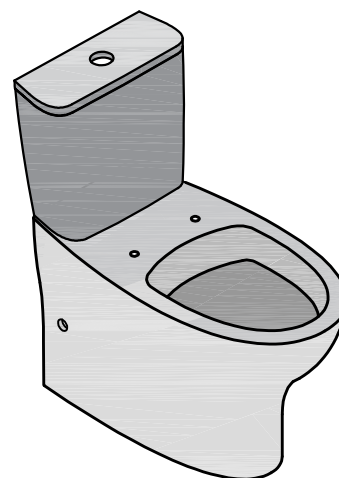
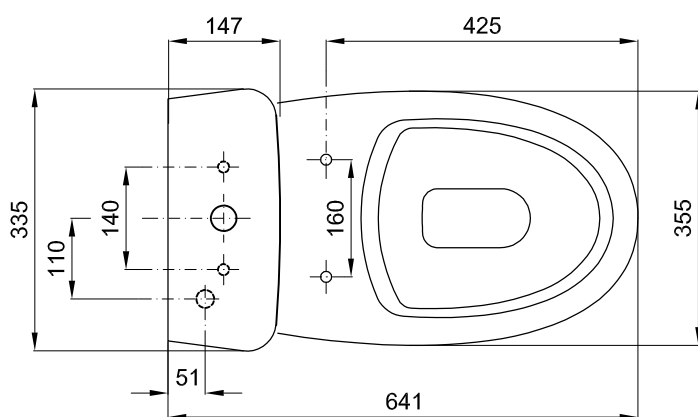
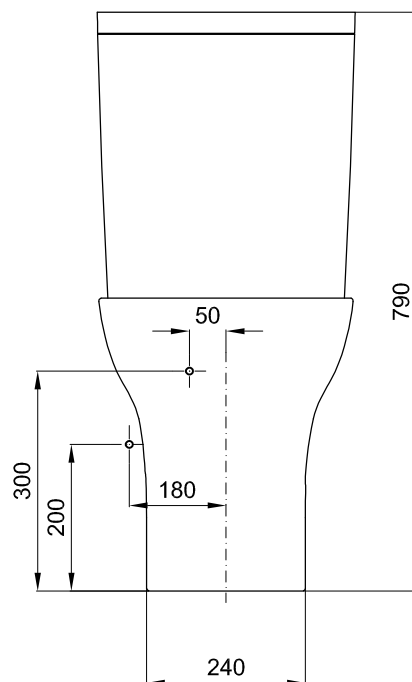
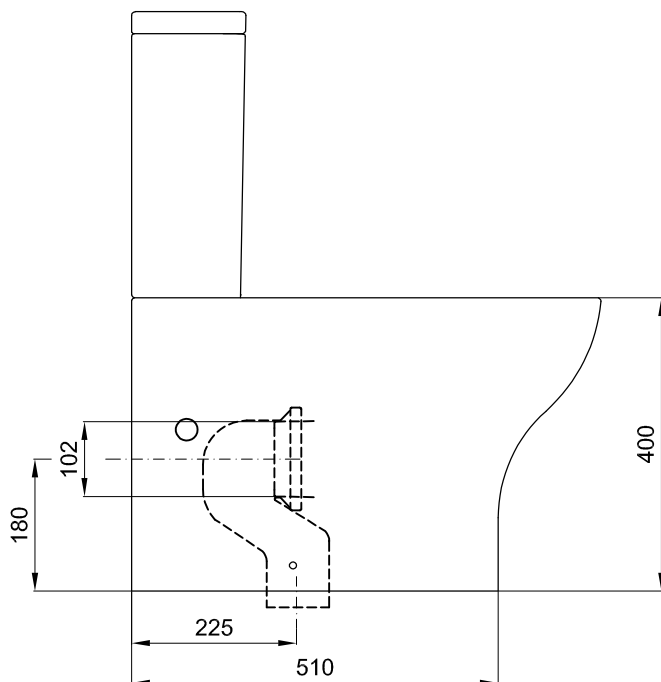
CARACTERÍSTICAS DO MODELO:

- MATERIAL: VITREOUS CHINA
- SANITA COMPACTA COM DESCARGA DIRECTA E SAÍDA DUAL
- PROVIDA DE TANQUE BAIXO DE ALIMENTAÇÃO INFERIOR E TAMPA COM FURO
- S/EN 33: EN 997; UNE - EN 33; UNE - EN 997; NF - EN 33; NF - EN 997; NF D 12 - 101; S/NF D 12 - 203
- GARANTIA DE 2 ANOS
- PESO SANITA: 26.5KG
- PESO TANQUE: 11.5KG

PEÇA:

- DESCRIÇÃO: SANITA COMPACTA BTW
- SERIE: POP ART
- VERSÃO: SAÍDA DUAL (H/V)
- REF: S100769233...00 / S102007045...00

CROQUIS COM DIMENSÕES GERAIS E DE LIGAÇÃO:



COMPONENTES INCLuíDOS:

- KIT DE FIXAÇÃO SANITA Ref.: A822503100
- CURVO DE EVACUAÇÃO Ref.: TN10102100000000
- KIT FIXAÇÃO CURVO DE EVACUAÇÃO Ref.: A892010000

PRODUTOS ASSOCIADOS:

- TANQUE ALIMENTAÇÃO INFERIOR Ref: S102007045...00
- TAMPO - (OPCIONAL, CONSULTAR CATALOGO GERAL)

Sanitana

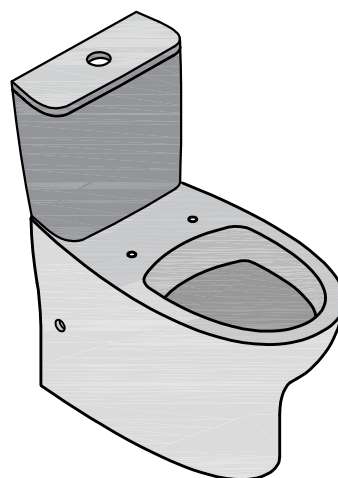
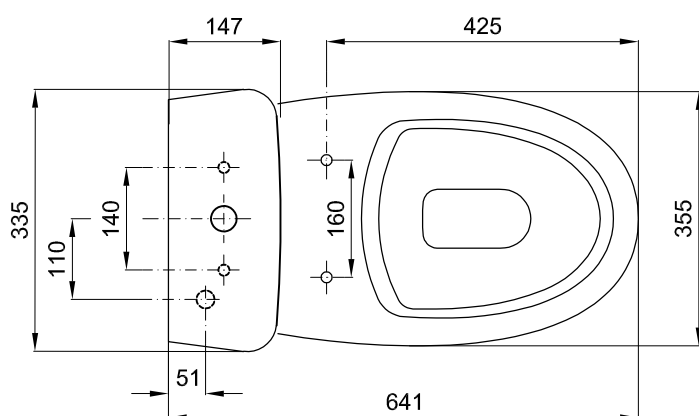
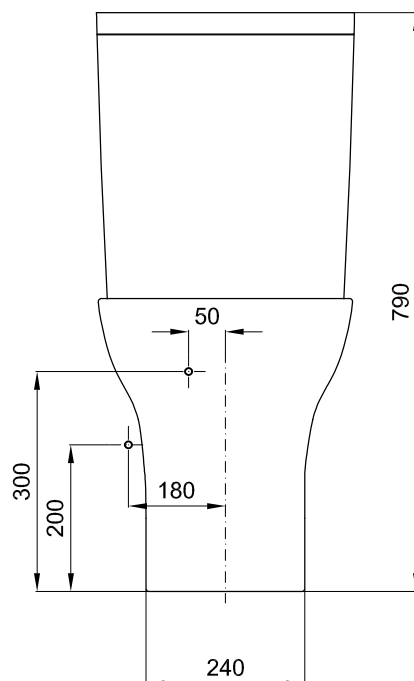
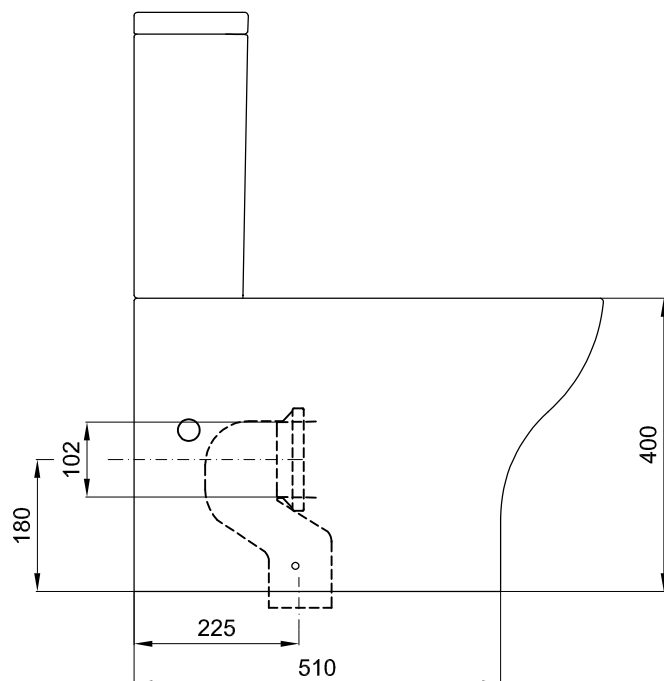
FEATURES OF THE MODEL:

- MATERIAL: VITREOUS CHINA
- COMPACT TOILET WITH DIRECT DISCHARGE AND DUAL OUTLET WITH TECHNICAL OUTLET
- FITTED LOW TANK THE UNDER ALIMENTATION AND COVER WITH HOLE
- EN 33; EN 997; UNE-EN 33; UNE-EN 997; NF-EN 33; NF-EN 997; NF D 12 - 101; NF D 12 - 203
- TWO YEARS WARRANTY
- WEIGHT TOILET: 26.5KG
- WEIGHT CISTERN: 11.5KG

PART:

- DESCRIPTION: COMPACT TOILET BTW
- SERIES: POP ART
- VERSION: DUAL OUTLET (H/V)
- REF: S100769233...00 / S102007045...00

SKETCH WITH DIMENSIONS AND CONNECTIONS:



INCLUDED COMPONENTS:

- FIXING KIT TOILET Ref.: A822503100
- EVACUATION CURVED Ref.: TN10102100000000
- KIT FIXING EVACUATION CURVED Ref.: A892010000

RELATED PRODUCTS:

- CISTERN UNDER ALIMENTATION Ref: S102007045...00
- SEAT&COVER - (OPTIONAL, CONSULT GENERAL CATALOGUE)

The products presented follow technical specifications Sanitana SA. The dimensions are approximate. For installation as only to be considered the dimensions of the part to be removed applied. We reserve the right to make technical changes to improve the functionality of our products without notice.